

QUICKSTART

Leica Lino L2P5



3

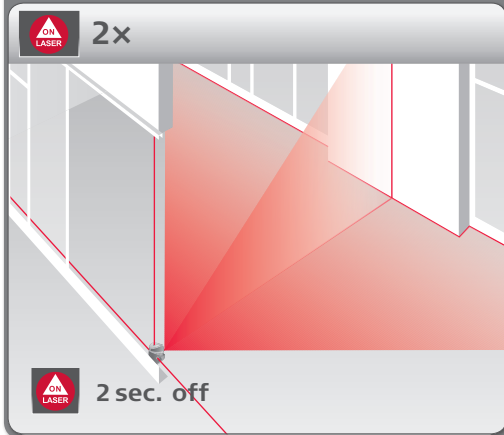
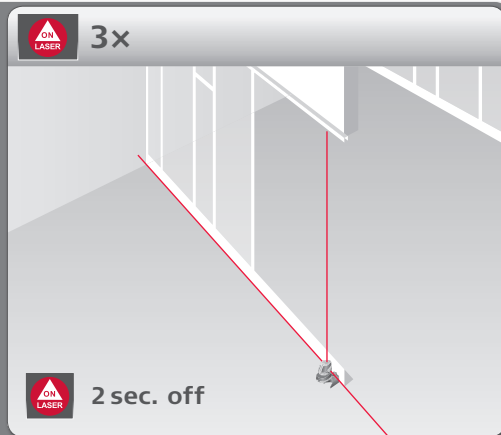
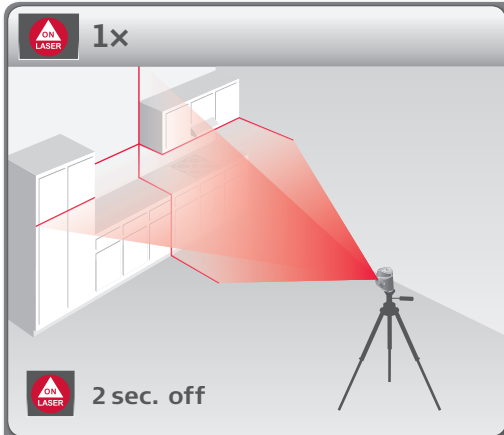


Buttons

- 1 LASER ON/OFF
- 2 PULSE/POWERSAVE MODE
- 3 Lockswitch ON
- 4 Laser line horizontal
- 5 Laser line vertical
- 6 Lock ON
- 7 Pulse/Powersave mode ON
- 8 Battery voltage too low
- 9 Plumb and cross dots
- 10 Plumb dot

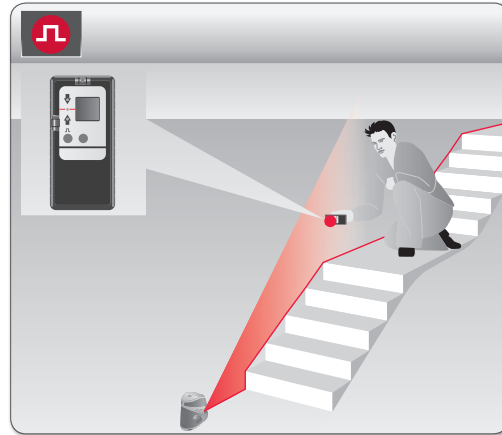
- when it has to be right

Leica
Geosystems



Laser class 2 in acc. to IEC 60825-1

www.leica-geosystems.com



SAP. No. 777141